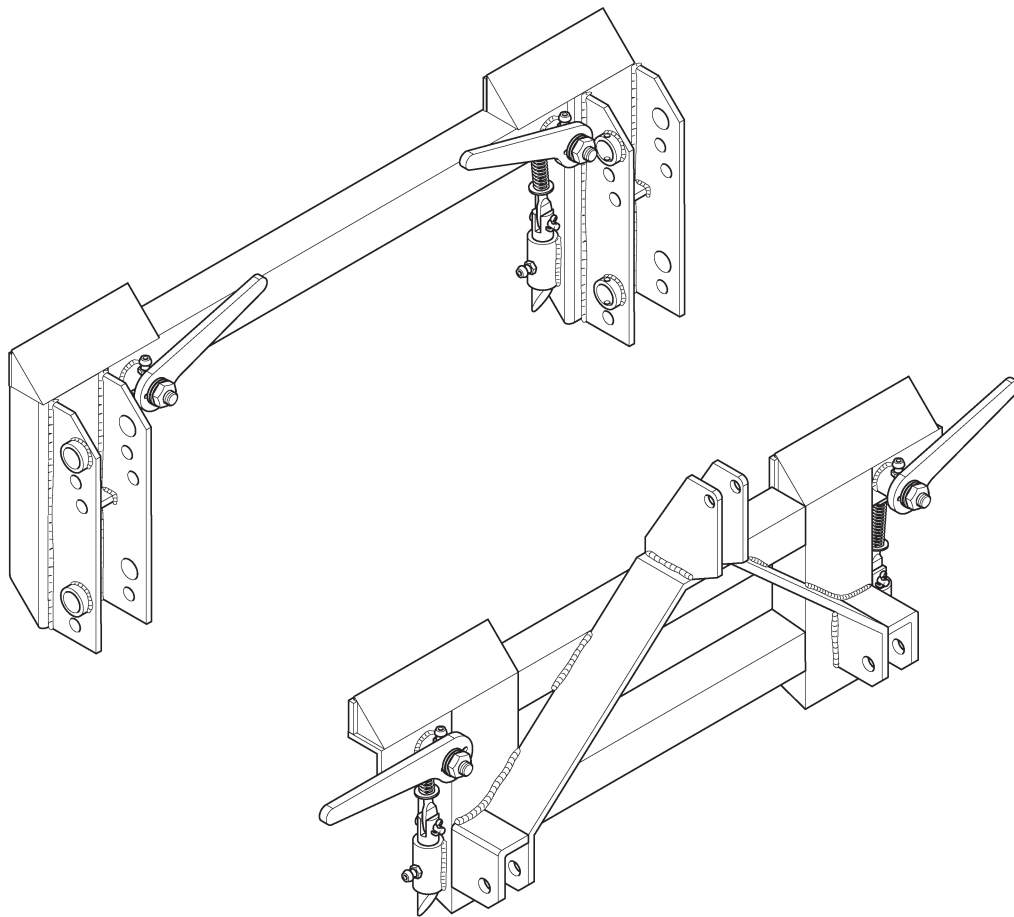


TACH-ALL™
QUICK ATTACH
& THREE-POINT HITCH QUICK ATTACH

**INSTALLATION &
PARTS MANUAL**



ATI 
CORPORATION

New Holland, PA 17557
Phone (717) 354-8721 • FAX (717) 354-2162
1-800-342-0905
www.preseeder.com

AUGUST 2003
CAT.# TachAll/3PtHitchIPM-0803



New Holland, PA 17557
Phone (717) 3564-8721 • FAX (717) 354-2162
1-800-342-0905
www.preseeder.com

COPYRIGHT 2003 by
ATI Corporation
250 Earland Drive
New Holland, PA 17557 U.S.A.

DISCLAIMER

THE INFORMATION IN THIS MANUAL IS PROVIDED TO PROMOTE THE SAFE USE OF, AND ASSIST THE OPERATOR IN ACHIEVING THE BEST PERFORMANCE FROM, THE TACH-ALL QUICK ATTACH OR THREE-POINT HITCH DESCRIBED HEREIN, FOR THEIR INTENDED APPLICATIONS.



New Holland, PA 17557
 Phone (717) 3564-8721 • FAX (717) 354-2162
 1-800-342-0905
 www.preseeder.com

Tach-All Quick Attach & Three-Point Hitch

Notes

Tach-All Quick Attach & Three-Point Hitch

Table of Contents



New Holland, PA 17557
Phone (717) 3564-8721 • FAX (717) 354-2162
1-800-342-0905
www.preseeder.com

Notes	ii
Table of Contents	iii
Serial Number Information	iv
Where to Get Parts and Service	iv
How To Order Parts	v
Notes	vi
List Of Parts Illustrations	1
Safety, Installation, Operation & Maintenance	2
Safety	2
Installation	2
Mounting an attachment:	2
Removing an attachment:	3
Maintenance	3



Tach-All Quick Attach & Three-Point Hitch

New Holland, PA 17557
Phone (717) 3564-8721 • FAX (717) 354-2162
1-800-342-0905
www.preseeder.com

SERIAL NUMBER INFORMATION

It is very important that the correct serial number is provided when ordering parts. The serial number plate is located on the main frame. Please mark the model and serial number of your Tach-All in the space provided below in case the plate on your quick attach is lost or damaged.

Model..... **Serial Number**
Dealer Name **Dealer Phone Number**

WHERE TO GET PARTS AND SERVICE

When replacement parts and service are required, ATI Corporation recommends returning to the dealer from which the product or optional kit was purchased. By going to the dealer, you are dealing with people that understand and know ATI products. Our dealers have the experience servicing these machines and stock the most common parts required to keep your equipment in top working condition.

NOTE: ATI Corporation reserves the right to discontinue models at any time, change specifications, and improve design without notice and without incurring obligation on goods previously purchased and to discontinue supplying any part listed, when the demand does not warrant production.



HOW TO ORDER PARTS

Parts lists contained in this book have been prepared to help you when ordering spare and/or replacement parts. Your order will be filled promptly and accurately when the following information is provided:

1. Model and serial number of the unit. (This specifically identifies the equipment you have and permits us to verify the part numbers in your order.)
2. The parts list page number and catalog number. Include catalog revision number, if applicable.
3. The **Item** number for each part. **Item** numbers on the parts list page correspond with the numbers shown on the illustration.
4. **Part Number** as it appears in the parts list. In most cases this will be a nine-digit number; for example: 200-147-000.
5. The **Description** for the part as it appears on the parts list page.

The part ordered may have a new part number, or the part may have been replaced by a newer design with a different part number. In these cases your acknowledgement, shipping papers and invoices will be written listing the current part number first; the old part number you referred to will follow the part description.

Our purpose in doing this is to tell you that the parts are fully interchangeable. This will avoid any unnecessary correspondence or delay in processing your order. We suggest that you add any new number to your parts lists for future use.



Tach-All Quick Attach & Three-Point Hitch

Notes

New Holland, PA 17557
Phone (717) 3564-8721 • FAX (717) 354-2162
1-800-342-0905
www.preseeder.com

Blank lined area for notes.

Tach-All Quick Attach & Three-Point Hitch



New Holland, PA 17557
Phone (717) 3564-8721 • FAX (717) 354-2162
1-800-342-0905
www.preseeder.com

List Of Parts Illustrations

Figure 1. Installation 2

Figure 2. Tach-All, ASN B012340..... 4

Figure 3. Tach-All, BSN B012341..... 10

Figure 4. Three-Point Hitch 14



New Holland, PA 17557
Phone (717) 3564-8721 • FAX (717) 354-2162
1-800-342-0905
www.preseeder.com

Tach-All Quick Attach & Three-Point Hitch

Safety, Installation, Operation & Maintenance

SAFETY

SAFETY is our first concern at ATI Corporation. Safety must also be first in the mind of the operator of the quick attach. Proper maintenance is necessary to complete the safety cycle.

CAUTION

Attachments used with this Quick Attach must be compatible with the mounting system.

DANGER

When attaching an attachment to the loader quick attach mounting frame, engage tractor parking brake, and stop tractor engine before dismounting tractor. Push the handles over center to the latch position to insure that the attachment is securely attached to the mounting frame.

INSTALLATION

Refer to Figure 1. Quick-changing of a loader-mounted attachment is made possible with the quick attach system. The quick attach mounting frame (1) is installed on the loader and held in place by the loader pins. The frame remains on the loader and the loader pins are not removed when changing attachments.

The attachment is joined by matching the saddle (2) at the top of the attachment plate with the top of the quick attach frame.

Mounting an attachment:

- A) Pull the latch pin handles (3) to the unlatched position. Latch pin handles must be all the way up to ensure that the latching pins are fully retracted.
- B) Tilt the quick attach (1) forward with the loader tilt cylinders. Ease the top of the mounting frame into the saddle (2) of the attachment plate.

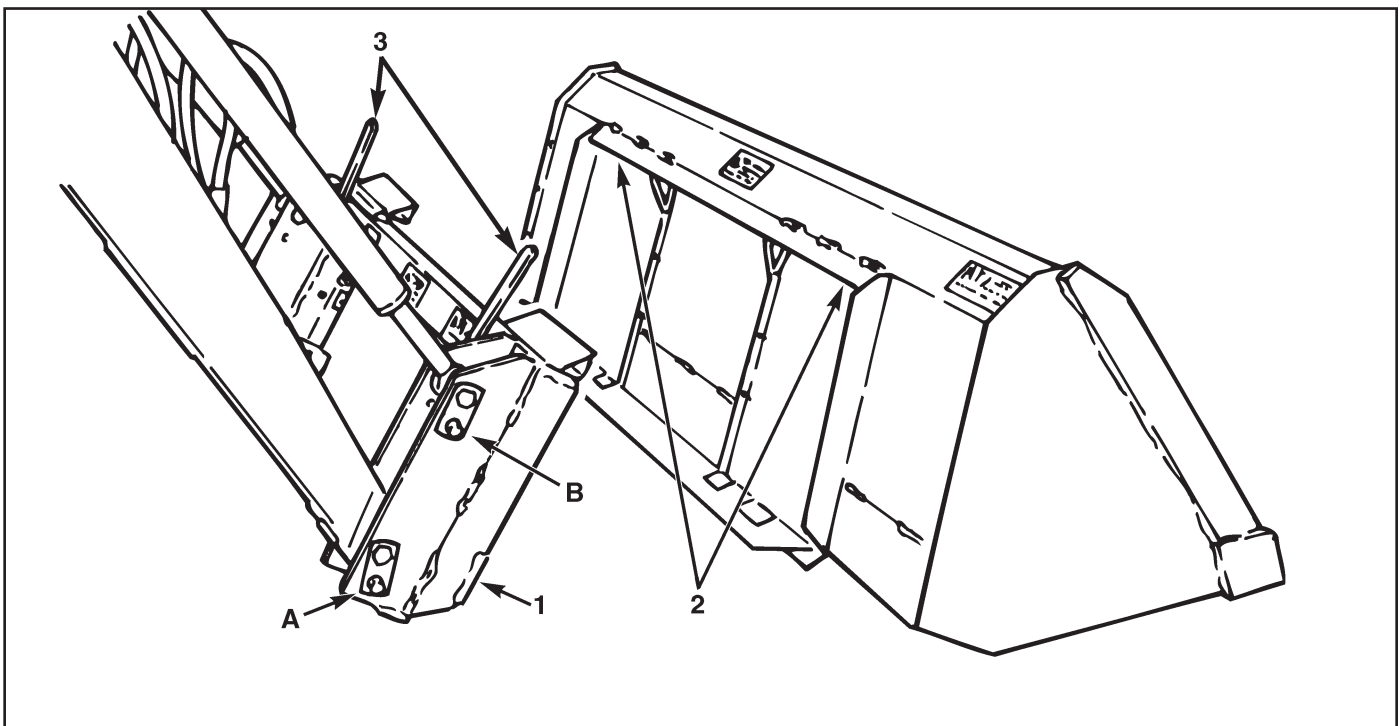


Figure 1. Installation

Safety, Installation, Operation & Maintenance

- C) Roll the mounting frame back and raise the loader boom slightly so that the back of the attachment plate rests flat against the front of the quick attach frame.

When the attachment is properly seated in the saddle and against the front of the quick attach frame, set the tractor parking brake, turn off the tractor engine, and dismount the tractor.

- D) Push the latch pin handles (3) down to the over center latched position, to engage the latching pins.

Removing an attachment:

- A) Lower the loader so that the attachment is resting on the ground.
- B) Set the tractor parking brake, turn off the tractor engine, and dismount the tractor.
- C) Pull the latch pin handles (3) up to the unlatched position to release the latching pins.
- D) Start tractor engine, tilt the attachment forward and slowly back away from the attachment at the same time.

MAINTENANCE

Attachments are secured to the quick attach with an over center latching pin system. It is important that these parts are kept clean, lubricated, and free of debris. Keep the latching pin free from dirt and debris. Lubricate the latching pin and the latching pin handle weekly with grease. Grease the pins and handles with the latching pin handles down in the latched position.

Keep latching pin handles tight. If handles become loose, tighten the hex nut slightly to snug up handles.

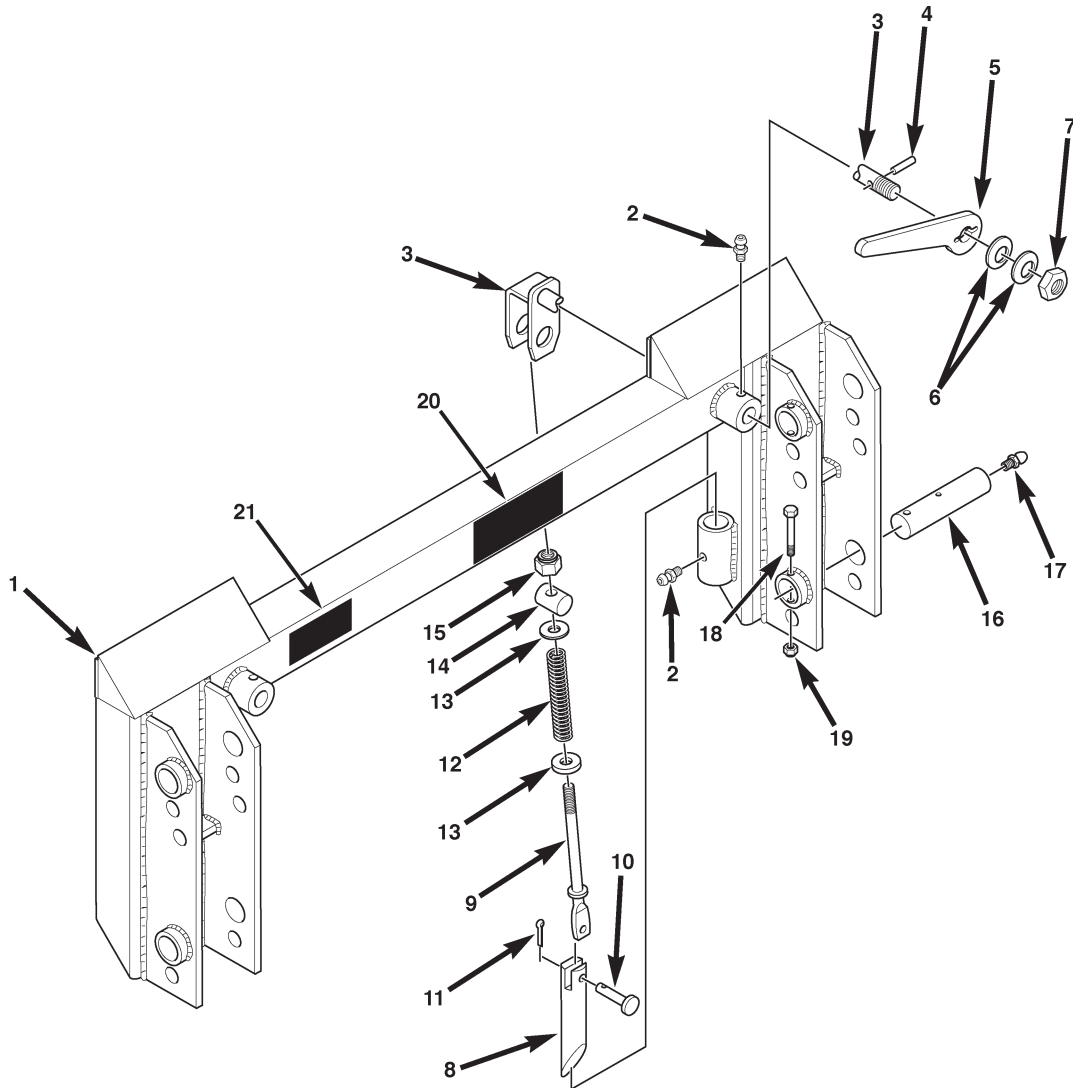
Clean the saddle at the top of the attachment plate, and the latching pin holes of any dirt and debris before mounting an attachment to the quick attach.



New Holland, PA 17557
Phone (717) 3564-8721 • FAX (717) 354-2162
1-800-342-0905
www.preseeder.com

Tach-All Quick Attach & Three-Point Hitch PARTS LIST

Figure 2. Tach-All, ASN B012340



Tach-All Quick Attach & Three-Point Hitch PARTS LIST



New Holland, PA 17557
Phone (717) 3564-8721 • FAX (717) 354-2162
1-800-342-0905
www.preseeder.com

Figure 2. Tach-All, ASN B012340

Item	Part No.	Qty	Description
1	100-133-000	1	Frame, Main, QA-CC1, Cub Cadet 476 & Woods 1009
	100-154-000	1	Frame, Main, QA-CC2, Cub Cadet 417 & Woods 165
	100-078-100	1	Frame, Main, QA-CC3, Cub Cadet 833
	100-191-100	1	Frame, Main, QA-YA1, Cub Cadet Yanmar CL300 (1-1/4" Pins)
	100-201-100	1	Frame, Main, QA-YA2, Cub Cadet Yanmar CL300 (1" Pins)
	100-174-000	1	Frame, Main, QA-BH1, Bush Hog 2240, 2245, 2246 & 2247
	100-085-100	1	Frame, Main, QA-BH2, Bush Hog 2425, 2440 & 2445
	100-134-000	1	Frame, Main, QA-GB1, Great Bend 240, 260 & 280
	100-142-000	1	Frame, Main, QA-GB2, Great Bend 330
	100-080-100	1	Frame, Main, QA-GB3, Great Bend 440 Pin-Type
	100-135-000	1	Frame, Main, QA-JD1, John Deere 80 Pin-Type & 440 Pin-Type
	100-136-000	1	Frame, Main, QA-JD2, John Deere 300, 300X, 300CX, 400X, 400CX, 419, 420, 430, 440QA, & 460 (JD QA Conversion Plate)
	100-137-000	1	Frame, Main, QA-JD3, John Deere 510, 512, 520, 521, 522, 540, 541 & 542 (JD QA Conversion Plate)
	100-138-000	1	Frame, Main, QA-JD4, John Deere 145, 146, 148 & 158 Pin-Type
	100-139-000	1	Frame, Main, QA-JD5, John Deere 70 & 70A
	100-140-000	1	Frame, Main, QA-JD6, John Deere 620, 640, 720, 721, 725, 726, 740, 741 & 746 (JD QA Conversion Plate)
	100-184-100	1	Frame, Main, QA-JD11, John Deere 75 Pin-Type
	100-141-000	1	Frame, Main, QA-KU1, Kubota LA401, LA402, LA452, LA480, LA481, LA482, LA680, LA681, LA682, LB402, LB552 & LB702
	100-141-000	1	Frame, Main, QA-KU2, Kubota BF500, BF550, LA450, LA500 & LA650 (Includes: QA-KU1 & Requires Pin Kit, PK-KU1)
	100-143-000	1	Frame, Main, QA-KU4, Kubota TL720
	100-144-000	1	Frame, Main, QA-KU5, Kubota LA950A, LA1001, LA1002 & LA1150A
	100-144-000	1	Frame, Main, QA-KU3, Kubota BF800, BF900, BF1100, LA950, LA1100, & LA1150 (Includes QA-KU5 & Requires Pin Kit, PK-KU5)
	100-145-000	1	Frame, Main, QA-KU6, Kubota TL420 & TL421
	100-146-000	1	Frame, Main, QA-KU7, Kubota LA1251
	100-173-000	1	Frame, Main, QA-KU8, Kubota TL1150 & LA1162
	100-147-000	1	Frame, Main, QA-KU9, Kubota LA852
	100-148-000	1	Frame, Main, QA-KU10, Kubota M1000
	100-175-000	1	Frame, Main, QA-KU11, Kubota LA463 & LA513
	100-176-000	1	Frame, Main, QA-KU12, Kubota LA723
	100-177-000	1	Frame, Main, QA-KU13, Kubota LA853
	100-076-100	1	Frame, Main, QA-KU15, Kubota LA403
	100-082-100	1	Frame, Main, QA-KU16, Kubota LA703
	100-196-100	1	Frame, Main, QA-KU17, Kubota LA504
100-207-100	1	Frame, Main, QA-KU18, Kubota LA1153 & LA1353 Pin-Type	
000-161-062	AR	Kit: Pin, PK-KU1, Includes 4 - KU1 Pins, Keeper Bolts & Nuts, KU1 & KU6 (Optional), KU2 (Standard)	

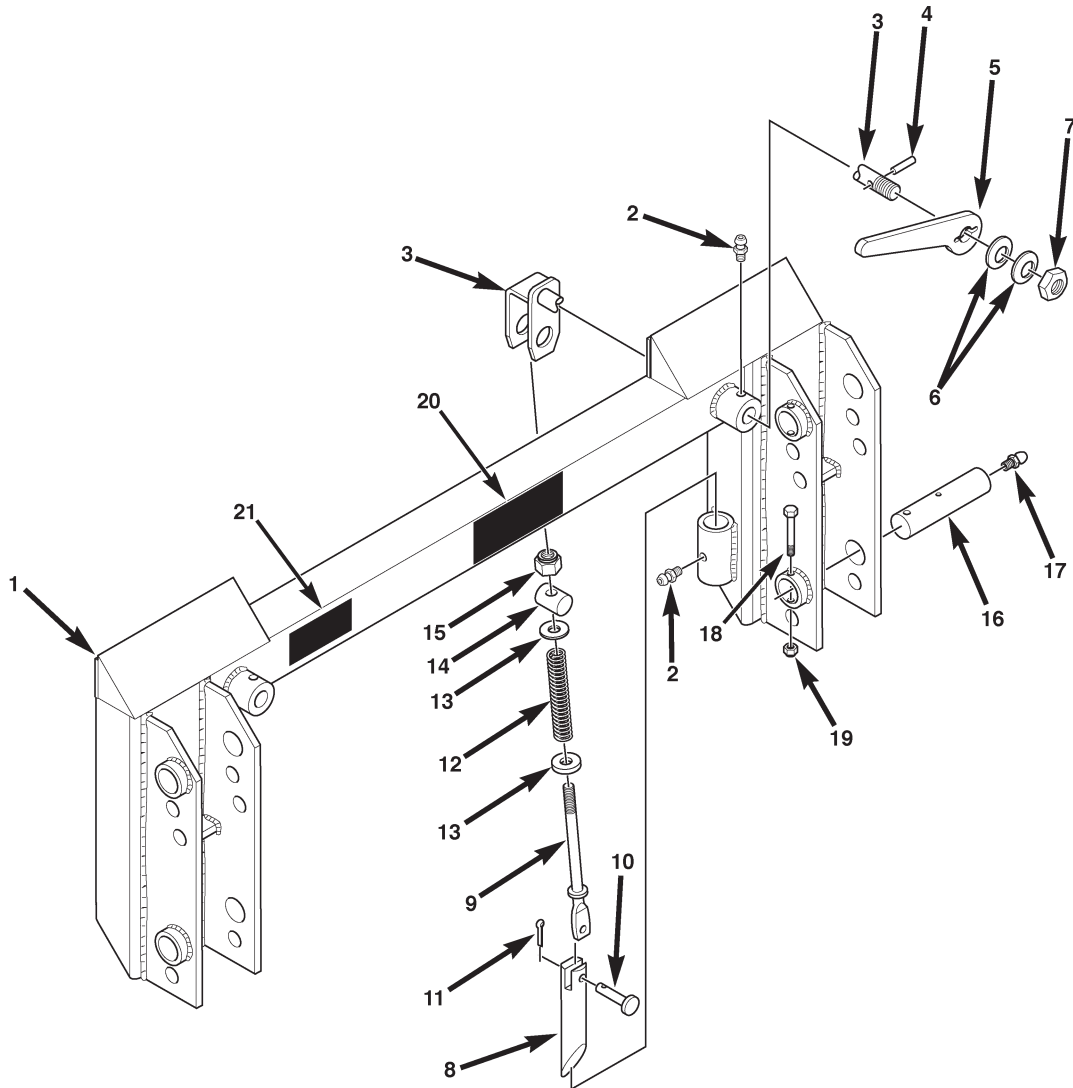
AR - As Required NSS - Not Serviced Separately ASN - After Serial No. BSN - Before Serial No. LP - Local Purchase



New Holland, PA 17557
 Phone (717) 3564-8721 • FAX (717) 354-2162
 1-800-342-0905
 www.preseeder.com

Tach-All Quick Attach & Three-Point Hitch PARTS LIST

Figure 2. Tach-All, ASN B012340



Tach-All Quick Attach & Three-Point Hitch PARTS LIST



New Holland, PA 17557
Phone (717) 3564-8721 • FAX (717) 354-2162
1-800-342-0905
www.preseeder.com

Figure 2. Tach-All, ASN B012340

Item	Part No.	Qty	Description
1	000-161-063	AR	Kit: Pin, PK-KU4, Includes 4 - KU4 Pins, Keeper Bolts & Nuts, KU4 & KU9 (Optional)
	000-161-064	AR	Kit: Pin, PK-KU5, Includes 4 - KU5 Pins, Keeper Bolts & Nuts, KU3 (Standard), KU5 & KU7 (Optional)
	100-149-000	1	Frame, Main, QA-MF1, Massey Ferguson L100, 1246, 1466, AGCO Loader SL46, Challenger ML30, TYM TL100 & TL200
	100-150-000	1	Frame, Main, QA-MF2, Massey Ferguson 232, 236, 832, 932, 1040, 1050, AGCO SL48, AGCO 656 & Challenger ML40
	100-088-100	1	Frame, Main, QA-MF3, Massey Ferguson 1244, 1464, 1520, AGCO SL44 & Challenger ML20
	100-206-100	1	Frame, Main, QA-MF, Massey Ferguson L200, L210, DL130, DL250, DL260 & 1530
	100-151-000	1	Frame, Main, QA-FO1, Ford New Holland 7108, 7308 & Case IH L130
	100-152-000	1	Frame, Main, QA-FO2, Ford New Holland 2109, 620TL, 7109, 7209, 7210, 7309, 7310 & 7410
	100-153-000	1	Frame, Main, QA-FO3, Ford New Holland 14LA, 15LA, 16LA, 17LA, 18LA, Case IH L160, LX114, LX116 & LX118
	100-102-000	1	Frame, Main, QA-FO4, Ford 770, 770A & 770B
	100-086-100	1	Frame, Main, QA-FO9, Ford 771, Kubota 1500, Schwartz 1200HD, 1350 & 1450
	100-130-000	1	Frame, Main, QA-CA1, Case IH 2250 & 2255
	100-131-000	1	Frame, Main, QA-CA2, Case IH 2050
	100-132-000	1	Frame, Main, QA-CA3, Case IH 2000
	100-178-000	1	Frame, Main, QA-CA4, Case IH 10QA & L108 (Pin Included)
	100-161-000	1	Frame, Main, QA-ASV, ASV RC30, Polaris ALS300
	100-188-100	1	Frame, Main, QA-BC1, Bobcat 7TL
	100-162-000	1	Frame, Main, QA-KM1, Kioti KL1450 & KL1470
	100-163-000	1	Frame, Main, QA-KM2, Kioti KL120 & KL130
	100-164-000	1	Frame, Main, QA-KM3, Kioti KL1231
	100-165-000	1	Frame, Main, QA-LO1, Long 5140 & 5140M
	100-083-100	1	Frame, Main, QA-ML1, Mahindra ML108 & ML112
	100-215-100	1	Frame, Main, QA-ML2, Mahindra ML205
	100-155-000	1	Frame, Main, QA-WD2, Woods 195
2	000-166-002	4	Fitting, Lube, 3/16" Drive
3	100-104-000	2	Crank, Eccentric
4	000-161-016	2	Pin, Dowel, SS, 3/16" Dia. x 1-1/4" Long
5	100-103-000	2	Handle, Latch Pin
6	000-161-014	4	Spring, Belleville Disc
7	000-158-184	2	Nut, Hex, Nylon Lock, Jam, 3/4"-16UNF

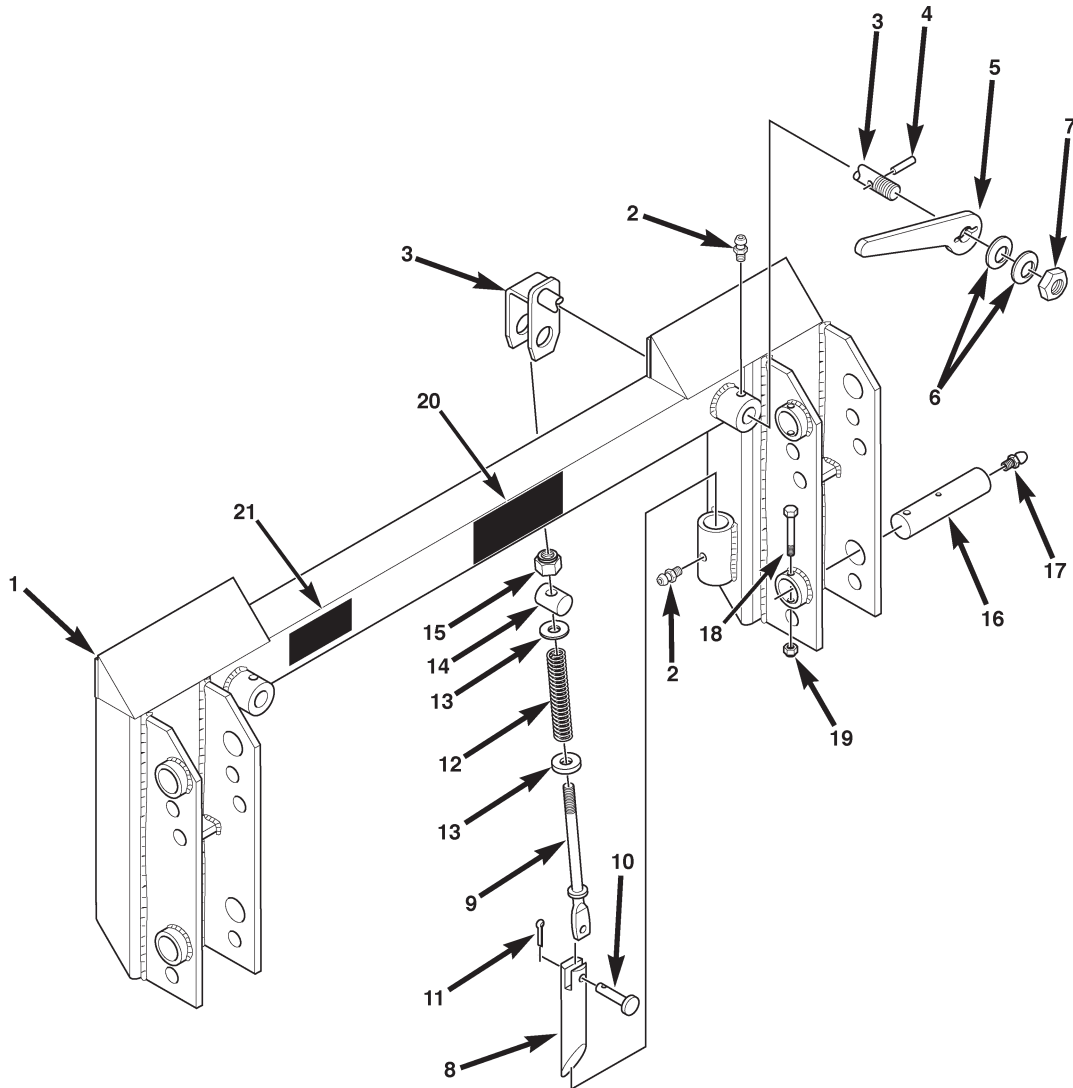
AR - As Required NSS - Not Serviced Separately ASN - After Serial No. BSN - Before Serial No. LP - Local Purchase



New Holland, PA 17557
 Phone (717) 3564-8721 • FAX (717) 354-2162
 1-800-342-0905
 www.preseeder.com

Tach-All Quick Attach & Three-Point Hitch PARTS LIST

Figure 2. Tach-All, ASN B012340



Tach-All Quick Attach & Three-Point Hitch PARTS LIST



New Holland, PA 17557
Phone (717) 3564-8721 • FAX (717) 354-2162
1-800-342-0905
www.preseeder.com

Figure 2. Tach-All, ASN B012340

Item	Part No.	Qty	Description
8	000-161-043	2	Pin, Latch, Round
9	000-161-061	2	Pin, Spring (Connecting Rod)
10	000-161-015	2	Pin, Clevis, 3/8" Dia. x 1-1/4" Long
11	000-161-026	2	Pin, Cotter, 5/32" Dia. x 1" Long
12	000-161-013	2	Spring, Compression
13	000-155-056	4	Washer, Flat, 1/2", SAE
14	000-161-044	4	Pin, Pivot, 1" Dia. x 1-3/4" Long
15	000-158-113	2	Nut, Hex, Nylon Lock, 1/2"-13 UNC
16	000-161-017	4	Pin, Bucket, Kubota, KU1, 1" Dia. x 4-1/4" Long
	000-161-025	4	Pin, Bucket, Kubota, KU4, 1-3/16" Dia. x 5-1/8" Long
	000-161-055	4	Pin, Bucket, Kubota, KU5, 1-3/16" Dia. x 5-19/32" Long
17	000-166-135	AR	Fitting, Lube, 1/4"-28NPT
18	000-150-056	4	Capscrew, Hex Head, 1/4"-20UNC x 2" Long, KU1
	000-150-097	4	Capscrew, Hex Head, 5/16"-18UNC x 2-1/4" Long, KU4 & KU5
19	000-158-050	4	Nut, Hex, Nylon Lock, 1/4"-20UNC, KU1
	000-158-066	4	Nut, Hex, Nylon Lock, 5/16"-18UNC, KU4 & KU5
20	000-186-039	1	Decal, Danger, Crush Hazard
21	000-186-035	1	Plate, Model/Serial, Adhesive Back

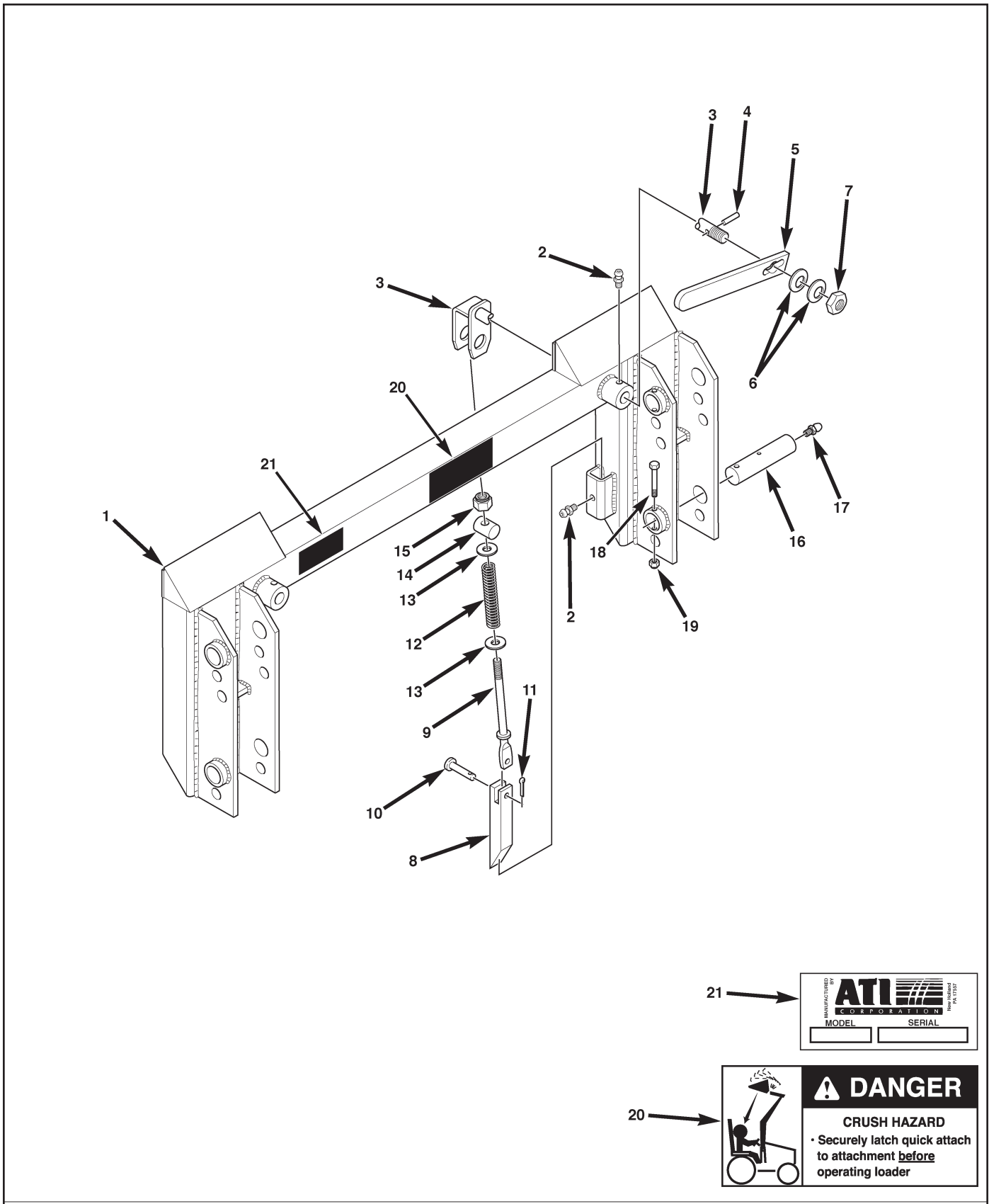
AR - As Required NSS - Not Serviced Separately ASN - After Serial No. BSN - Before Serial No. LP - Local Purchase



New Holland, PA 17557
Phone (717) 3564-8721 • FAX (717) 354-2162
1-800-342-0905
www.preseeder.com

Tach-All Quick Attach & Three-Point Hitch PARTS LIST

Figure 3. Tach-All, BSN B012341



Tach-All Quick Attach & Three-Point Hitch PARTS LIST



New Holland, PA 17557
Phone (717) 3564-8721 • FAX (717) 354-2162
1-800-342-0905
www.preseeder.com

Figure 3. Tach-All, BSN B012341

Item	Part No.	Qty	Description
1	100-120-000	1	Frame, Main, QA-GB1, Great Bend 240, 260 & 280
	100-111-000	1	Frame, Main, QA-JD1, John Deere 80 Pin-Type & 440 Pin-Type
	100-118-000	1	Frame, Main, QA-JD2, John Deere 300, 300X, 300CX, 305, 400X, 400CX, 419, 420, 430, 440QA & 460 (JD QA Conversion Plate)
	100-119-000	1	Frame, Main, QA-JD3, John Deere 510, 512, 520, 521, 522, 540, 541 & 542 (JD QA Conversion Plate)
	100-107-000	1	Frame, Main, QA-KU1, Kubota LA401, LA402, LA452, LA480, LA481, LA482, LA680, LA681, LA682, LB402, LB552 & LB702
	100-107-000	1	Frame, Main, QA-KU2, Kubota BF500, BF550, LA450, LA500 & LA650 (Requires Pin Kit, PK-KU1)
	100-113-000	1	Frame, Main, QA-KU4, Kubota TL720
	100-114-000	1	Frame, Main, QA-KU5, Kubota LA950A, LA1001, LA1002 & LA1150A
	100-114-000	1	Frame, Main, QA-KU3, Kubota BF800, BF900, BF950, BF1100, LA950, LA1100 & LA1150 (Requires Pin Kit, PK-KU5)
	100-115-000	1	Frame, Main, QA-KU6, Kubota TL420 & TL421
	100-116-000	1	Frame, Main, QA-KU7, Kubota LA1251
	100-125-000	1	Frame, Main, QA-KU9, Kubota LA852
	000-161-062	AR	Kit: Pin, PK-KU1, Includes 4 - KU1 Pins, Keeper Bolts & Nuts, KU1 & KU6 (Optional), KU2 (Standard)
	000-161-063	AR	Kit: Pin, PK-KU4, Includes 4 - KU4 Pins, Keeper Bolts & Nuts, KU4 & KU9 (Optional)
	000-161-064	AR	Kit: Pin, PK-KU5, Includes 4 - KU5 Pins, Keeper Bolts & Nuts, KU3 (Standard), KU5 (Optional)
	100-121-000	1	Frame, Main, QA-MF1, Massey Ferguson 1244, 1246, AGCO SL44 & SL46
	100-109-000	1	Frame, Main, QA-FO1, Ford New Holland 7108, 7308 & Case IH Loader L130
	100-110-000	1	Frame, Main, QA-FO2, Ford New Holland 2109, 7109, 7209, 7210, 7309, 7310 & 7410
	100-126-000	1	Frame, Main, QA-FO3, Ford New Holland 16LA, 17LA & Case IH L160
	100-222-100	1	Frame, Main, QA-FO20, Ford New Holland 235TL, ALo Quicke 140
	100-117-000	1	Frame, Main, QA-CA1, Case IH 2250 & 2255
	100-127-000	1	Frame, Main, QA-CA2, Case IH 2050
	100-122-000	1	Frame, Main, QA-WD1, Woods 165
	100-123-000	1	Frame, Main, QA-WD2, Woods 195
	100-217-100	1	Frame, Main, QA-WD3, Woods DuAl 3100, 3150
2	000-166-002	AR	Fitting, Lube, 3/16" Drive
3	100-104-000	2	Crank, Eccentric

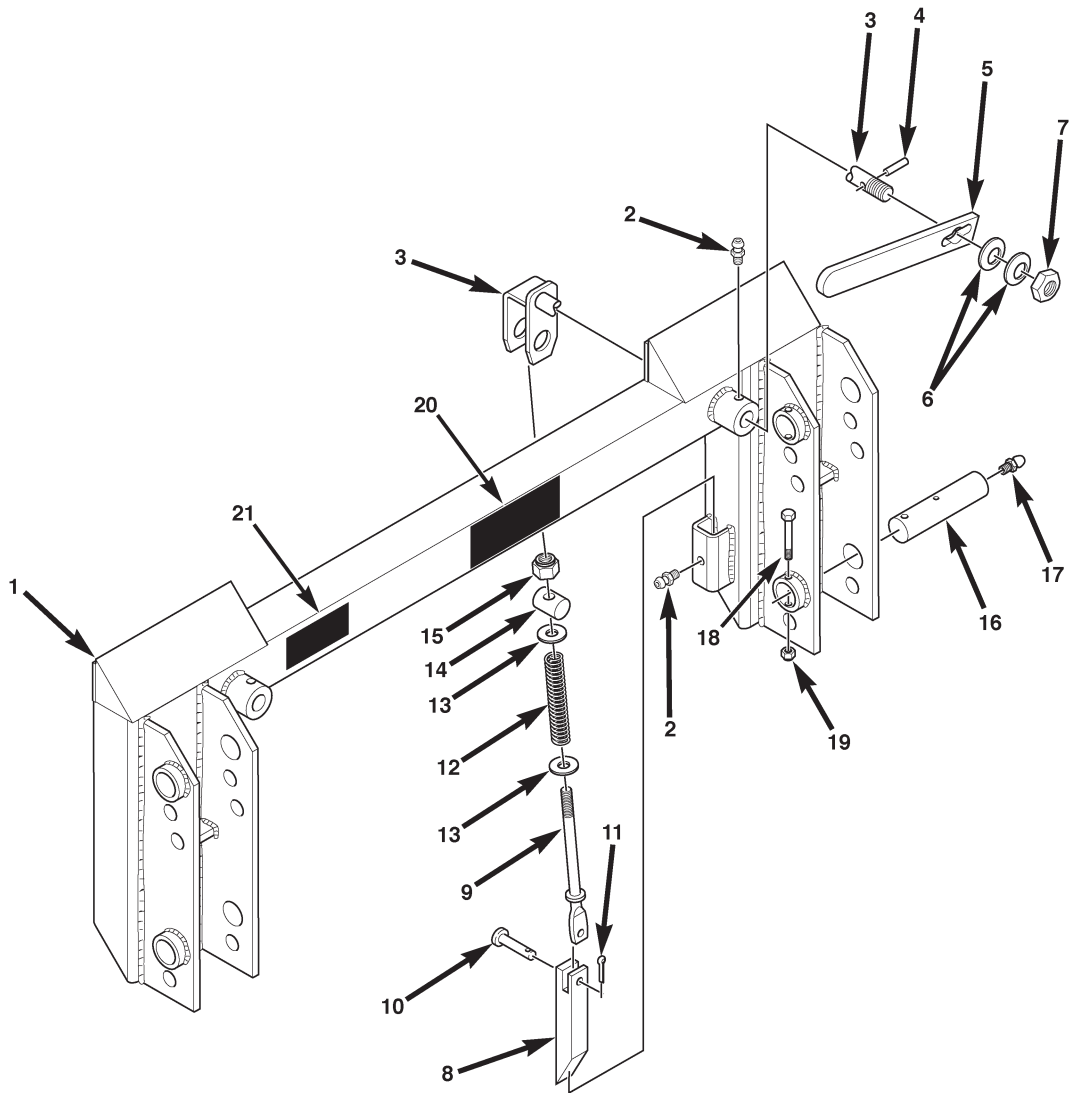
AR - As Required NSS - Not Serviced Separately ASN - After Serial No. BSN - Before Serial No. LP - Local Purchase



New Holland, PA 17557
 Phone (717) 3564-8721 • FAX (717) 354-2162
 1-800-342-0905
 www.preseeder.com

Tach-All Quick Attach & Three-Point Hitch PARTS LIST

Figure 3. Tach-All, BSN B012341



Tach-All Quick Attach & Three-Point Hitch PARTS LIST



New Holland, PA 17557
Phone (717) 3564-8721 • FAX (717) 354-2162
1-800-342-0905
www.preseeder.com

Figure 3. Tach-All, BSN B012341

Item	Part No.	Qty	Description
4	000-161-016	2	Pin, Dowel, SS, 3/16" Dia. x 1-1/4" Long
5	100-103-000	2	Handle, Latch Pin
6	000-161-014	4	Spring, Belleville Disc
7	000-158-184	2	Nut, Hex, Nylon Lock, Jam, 3/4"-16UNF
8	000-161-042	2	Pin, Latch, Square
9	000-161-061	2	Pin, Spring (Connecting Rod)
10	000-161-015	2	Pin, Clevis, 3/8" Dia. x 1-1/4" Long
11	000-161-026	2	Pin, Cotter, 5/32" Dia. x 1" Long
12	000-161-013	2	Spring, Compression
13	000-155-056	4	Washer, Flat, 1/2", SAE
14	000-161-044	2	Pin, Pivot, 1" Dia. x 1-3/4" Long
15	000-158-113	2	Nut, Hex, Nylon Lock, 1/2"-13 UNC
16	000-161-017	4	Pin, Bucket, Kubota, KU1, 1" Dia. x 4-1/4" Long
	000-161-025	4	Pin, Bucket, Kubota, KU4, 1-3/16" Dia. x 5-1/8" Long
	000-161-055	4	Pin, Bucket, Kubota, KU5, 1-3/16" Dia. x 5-19/32" Long
17	000-166-135	AR	Fitting, Lube, 1/4"-28NPT
18	000-150-056	4	Capscrew, Hex Head, 1/4"-20UNC x 2" Long, KU1
	000-150-097	4	Capscrew, Hex Head, 5/16"-18UNC x 2-1/4" Long, KU4 & KU5
19	000-158-050	4	Nut, Hex, Nylon Lock, 1/4"-20UNC, KU1
	000-158-066	4	Nut, Hex, Nylon Lock, 5/16"-18UNC, KU4 & KU5
20	000-186-039	1	Decal, Danger, Crush Hazard
21	000-186-035	1	Plate, Model/Serial, Adhesive Back

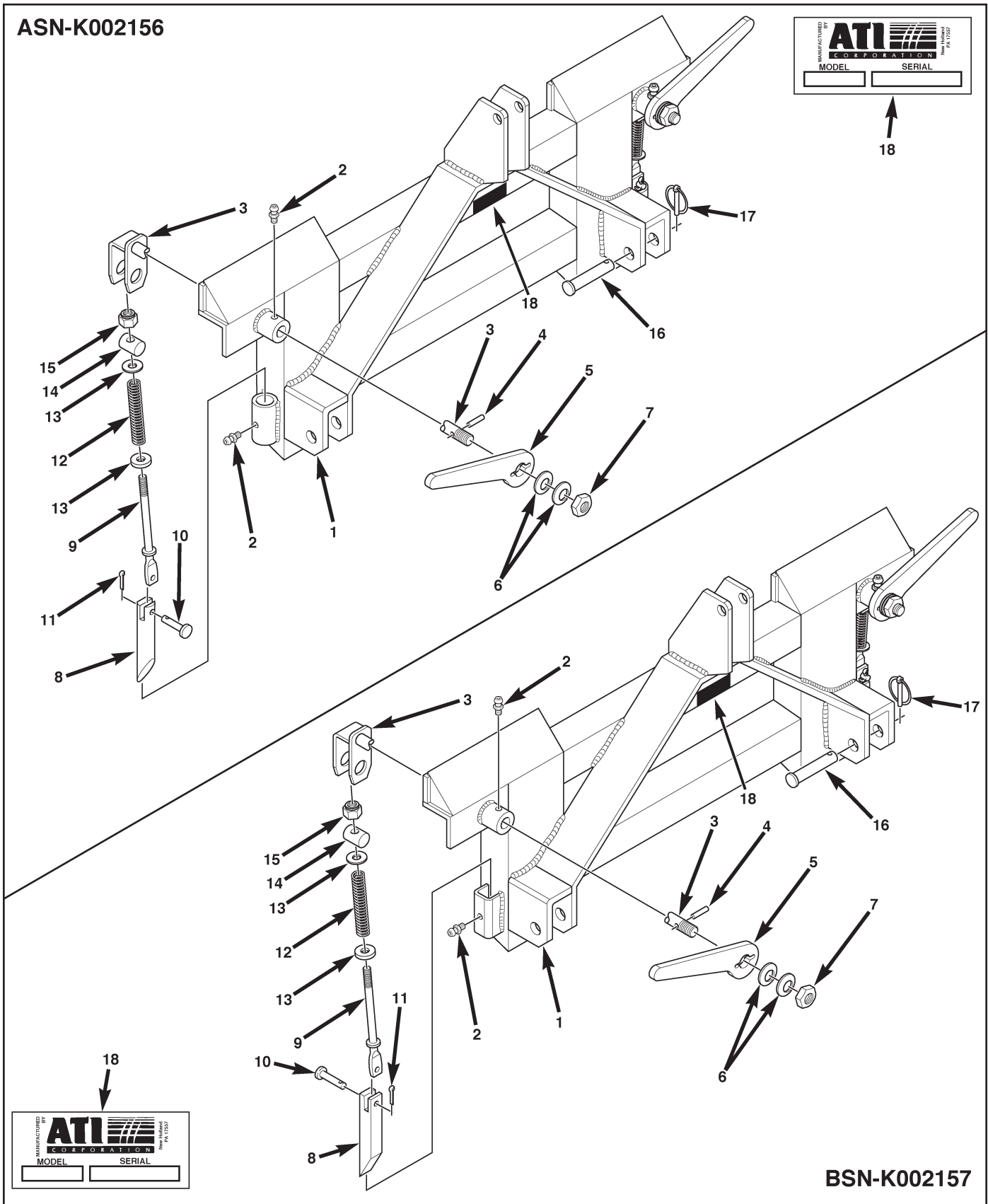
AR - As Required NSS - Not Serviced Separately ASN - After Serial No. BSN - Before Serial No. LP - Local Purchase



Tach-All Quick Attach & Three-Point Hitch PARTS LIST

New Holland, PA 17557
Phone (717) 3564-8721 • FAX (717) 354-2162
1-800-342-0905
www.preseeder.com

Figure 4. Three-Point Hitch



Tach-All Quick Attach & Three-Point Hitch PARTS LIST



New Holland, PA 17557
Phone (717) 3564-8721 • FAX (717) 354-2162
1-800-342-0905
www.preseeder.com

Figure 4. Three-Point Hitch

Item	Part No.	Qty	Description
1	100-156-000	1	Frame, Main, QA-3PT, Three Point Hitch, Category 1, ASN-K002156
	100-128-000	1	Frame, Main, QA-3PT, Three Point Hitch, Category 1, BSN-K002157
2	000-166-002	4	Fitting, Lube, 3/16" Drive
3	100-104-000	2	Crank, Eccentric
4	000-161-016	2	Pin, Dowel, SS, 3/16" Dia. x 1-1/4" Long
5	100-028-300	2	Handle, Latch Pin
6	000-161-014	4	Spring, Belleville Disc
7	000-158-184	2	Nut, Hex, Nylon Lock, Jam, 3/4"-16UNF
8	000-161-043	2	Pin, Latch, Round, ASN-K002156
	000-161-042	2	Pin, Latch, Square, BSN-K002157
9	000-161-061	2	Pin, Spring (Connecting Rod)
10	000-161-015	2	Pin, Clevis, 3/8" Dia. x 1-1/4" Long
11	000-161-026	2	Pin, Cotter, 5/32" Dia. x 1" Long
12	000-161-013	2	Spring, Compression
13	000-155-056	4	Washer, Flat, 1/2" SAE
14	000-161-044	2	Pin, Pivot, 1" Dia. x 1-3/4" Long
15	000-158-113	2	Nut, Hex, Nylon Lock, 1/2"-13 UNC
16	000-161-034	2	Pin, Clevis, Category 1, 7/8" Dia. x 5" Long
17	000-161-028	2	Pin, Lynch, Locking, 7/16" Dia.
18	000-186-035	1	Plate, Model/Serial, Adhesive Back

AR - As Required NSS - Not Serviced Separately ASN - After Serial No. BSN - Before Serial No. LP - Local Purchase